

AC voltage sensor (part number 288454B)

- I. Purpose:** The purpose of this document is to show the drawing and specifications of the AC voltage sensor (288454B).
- II. Qualifications:** Service of the siren controllers must be performed by a properly trained technician.
- III. Precautions:** Electrical and ESD precautions must be followed.
Note: The specifications are as of the origination date of the writing of this document. All are subject to change.
- IV. AC voltage sensor:** (part number 288454B)

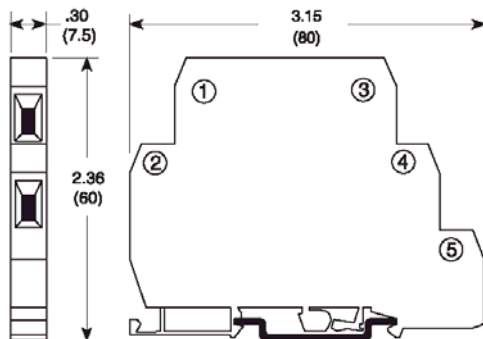
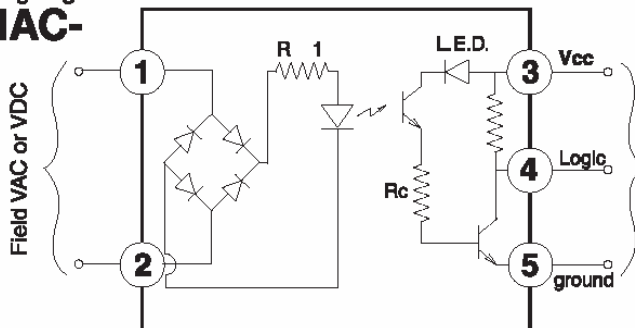
Specifications:

Part Number	Logic (Output) Voltage Range Vdc	Max Load Current mA	Turn On Time Max ms (us)	Turn Off Time Max ms (us)	Field (Input) Voltage Vac (Vdc)	Logic	Logic (Output) Voltage Drop @ 100mA Load Vdc
I.O.-IAC-R0-280	4-28	100	20	20	90-280	Neg	0.5

Terminals:

- Will accept #24-10 AWG wire

Neg Logic IAC-



FOR REFERENCE ONLY				SIGNAL DIVISION Federal Signal Corporation 2645 FEDERAL SIGNAL DRIVE - UNIVERSITY PARK, IL 60466				
A	INSTRUCTION SHEET	10/20/06	GSA	DRAWN BY:	GSA	CHKD. BY:	GSA	SHEET
REV	CHANGE	DATE	BY	DATE:	10/20/06	DATE:	10/20/06	1 OF 1
NAME:	AC voltage sensor (part number 288454B)					DRAWING NUMBER:	P000091	